



- RCL-08
- Runway Centerline Light (Type II, 8-inch)

Compliance with Standards

CAAC: AC-137-CA-2015-03
 SAC: GB/T 7256
 ICAO: Annex 14, Volume 1
 IEC: TS 61827
 FAA: AC 150/5345-46
 NATO: STANAG 3316

Application/Use

Runway centerline light

Features

- Proprietary prism structural design and manufacturing process to ensure excellent optical performance
- Self-alignment optical component without need of recalibration when replacing bulb as well as optical components
- Upper cover with flat out-light surface to prevent from water buildup and ensure high luminous efficiency
- Upper cover with equal-strength design and forging craft, which has premium mechanical and barrier capacity, and shock resistance ability
- Smooth and sleek upper cover to prevent from damaging aircraft tires
Lighting fixture made of highly conductive aluminum alloy, which ensures good heat dispersion
- Bulb Fixed mount suspension design to effectively prolong bulb's lifetime
- Main structure made of corrosion-resistant aluminum alloy with special special anodic oxidation treatment, all fasteners are made of stainless steel, suitable for harsh environment application
- High-precision parts and components machining to ensure all dimensional quality and precision
- IP68-grade, that can withstand inner pressure of up to 138kpa or water pressure generated from aircrafts' impact on the optical window
- Optional dual plug that permits bilateral control of the two-way light and intelligent loop control

Ordering Information

RCL-08-XXX-XX-XX

Type _____
 RCL-08=8-inch runway centerline light

Power _____
 096=2×48W
 048=1×48W

Beam Color _____
 CC = both windows are white
 CR = one window is white, one window is red
 CB = one window is white, one window is blank
 RB = one window is red, one window is blank

Plug _____
 1P=One plug
 2P=Two plugs

* Please provide detailed installation info while ordering, spare parts and accessories should be separately ordered with specific order no.

Installation

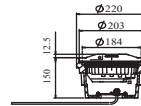


Fig 1. On 8" shallow base

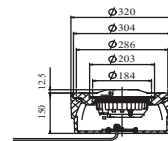


Fig 2. On 12" shallow base w/ 12"/8" adapter ring

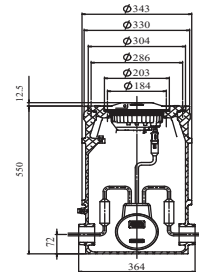
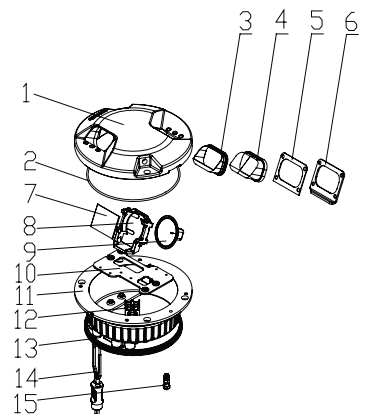


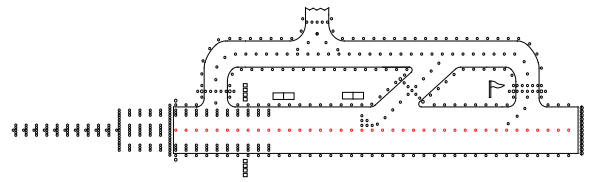
Fig 3. On 12" deep base w/ 12"/8" adapter ring

* Please find detailed information in installation manual

Structure

1. upper cover
2. light body gasket
3. prism gasket sleeve
4. prism
5. prism gasket
6. prism pressing bracket
7. filter
8. lamp holder
9. lamp
10. mounting plate assy
11. inner cover
12. terminal block
13. lighting fixture gasket
14. plug
15. valve



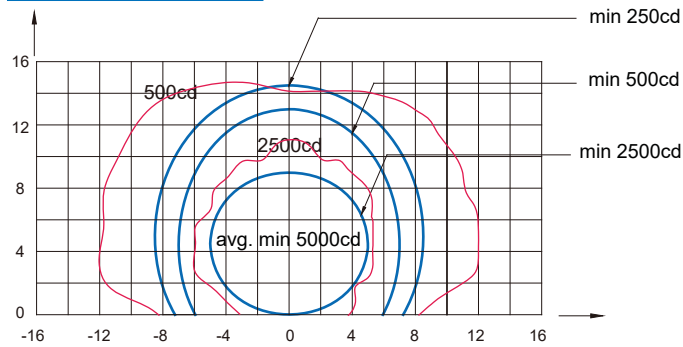


- RCL-08
- Runway Centerline Light (Type II, 8-inch)

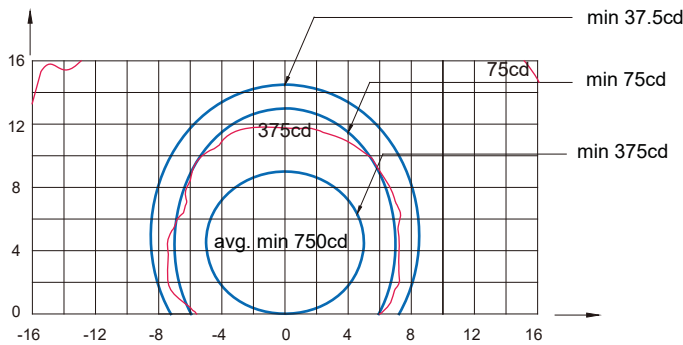
Light Source

Lamp: One or two 48W/6.6A reflector halogen lamps.

Photometric Data



RCL-08(White), ICAO Figure A2-7, FAA L-850A



RCL-08(Red), ICAO Figure A2-7, FAA L-850A

Application		Main beam		Color	Required min avg. cd	Actual avg. cd
		H	V			
RCL-08	ICAO Figure A2-7 /FAA L-850A	±5°	0° to 9°	White	5000	6562
			0.2° to 9°	Red	750	1560
	ICAO Figure A2-6	±5°	1° to 10°	White	5000	6501
			0.2° to 4.7°	Red	750	1572

Packing Data

- 1 light w/o base Packing size: 210×210×130 mm³
- Unit net weight: 3.0 kg Gross weight: 3.1 kg
- 1 light w/ 8" shallow base Packing size: 240×240×180 mm³
- Unit net weight: 5.8 kg Gross weight: 6.0 kg

Spare parts

Struc No.	Part Name	Order No.	Description
2	Prism Gasket Sleeve	43107	Prism Gasket Sleeve (H29)
3	Prism	31141	Prism (oversized H35.2)
4	Prism Gasket	43307	Prism Gasket (62×47)
5	Prism Pressing Bracket	43208	Prism Pressing Bracket (62×55)
6	Filter	31316-R	Filter-Red (53×36)
7	Lamp Holder	942133	28° Lamp Holder (assy)
8	Lamp	L64337	Halogen Lamp, 48W/6.6A
10	Light Fixture Gasket	41107	"O" ring seal 52.07×2.62
11	Light Body Gasket	41141	Seal Belt (standard)
13	Valve	941801	Valve Inside Assy
14	Plug	70620	Secondary Cable Connector - Style 6 Plug

Accessories

Sn	Order No.	Description
1	SB-08	8" Shallow Base Assy
2	SB-12	12" Shallow Base Assy
3	DB-12	12" Deep Base Assy
4	AR-12/08	12"-8" Adapter Ring Assy
5	951101	8" Lamp Holder
6	ITF-065-066	65W Isolation Transformer
7	ITF-150-066	150W Isolation Transformer
8	REC7	Secondary Cable Receptacle Style 7

RCL-08
2
2