

民用机场专用设备
审定合格证
AIRPORT EQUIPMENT CERTIFICATE

证书编号/Certificate No.: 08404912

有效期至/Expiration Date: 2016-08-29

根据《民用机场管理条例》(中华人民共和国国务院令 第 533 号)规定,下列产品通过合格性审定,可以在民用机场内使用:

This certificate is issued in accordance with the P.R.CHINA State Council Order No.533, *The Regulation on Airport Management*, and certifies that the following equipment has passed the qualification examination for use in airport:

跑道末端灯
Runway End Light

型号/Model: END-08

制造商/Manufacturer

上海航安机场设备有限公司
Airsafe Airport Equipment Co., Ltd.

地址/Address

上海市嘉定区徐行镇安新路 38 号
No.38 Anxin Road, Xuhang Town, Jiading District, Shanghai

设备外观&主要性能指标/Basic Information



光源
Light Source

冷反光预聚焦溴钨灯泡
Prefocus Tungsten Bromide Lamp, 105W×1

额定光源寿命
Rated Lamp Life

1000h@6.6A

灯盖材料
Lamp Cover Material

铝合金 Aluminum Alloy

灯座材料
Lampholder Material

铝合金 Aluminum Alloy

备注 Notes:

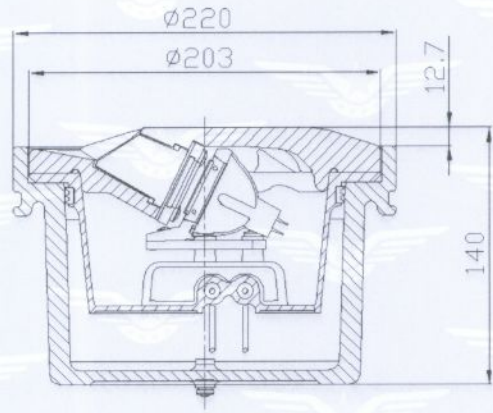
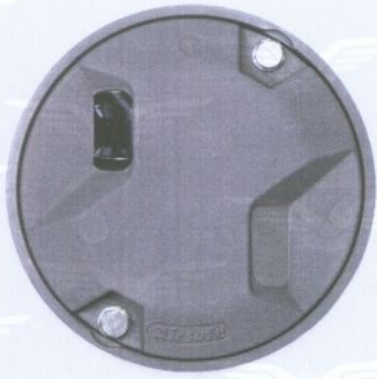
1. 设备详细外观及性能指标作为本证书的一部分打印于本证书背面
Appearance and specifications of the equipment are printed overleaf as part of this certificate
2. 下列方框内的登记记录表示本证书所示内容发生了变更,变更具体内容打印于本证书背面
Records sealed below on the blanks indicate revisions of this certificate with explanations printed overleaf

--	--	--	--	--

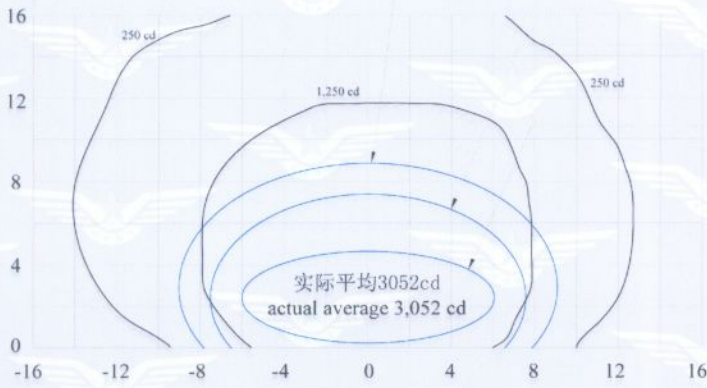
颁发日期:
Issue Date:

2010-01-10





垂直度数
vertical



要求最小125cd
MIN 125 cd Required

要求最小250cd
MIN 250 cd Required

要求最小1250cd, 平均2500cd
MIN 1,250 cd Required
MIN Average 2,500 cd required

水平度数
horizontal