

Airsafe

■ 12-inch Deep Base

■ DB-12



Compliance with Standards

FAA: AC 150/5345-46, AC 150/5345-42
AC 150/5345-42G
Chinese National Standard: GB/T 7256-2005

Application/Use

Installation of 12-inch in-pavement lighting fixtures, isolation transformers and single-lamp controller, or installation of 8-inch in-pavement lighting fixtures with 12⁷/₈' adaptor ring, isolation transformers and single-lamp controller.

Features

- Stretch forming with high quality aluminum alloy;
- Special material formula, excellent thermal conductivity;
- Reasonable structure design, uniformly forced, not easy to deformation;
- Internal reinforcing ribs design, strong loading capacity;
- Drawing process makes interior structure of material denser, good mechanical performance;
- High precision machining, to ensure overall quality and precision of shallow base;
- Antiseptic treatment on surface with good anti-corrosion property, more durable;
- Divided into dry-type and wet-type, to meet customers' different requirements;
- Dry-type applies premium metal water joint, good waterproofing; Wet-type has drainage hole on bottom, no seeper inside;
- Screw holes with stainless steel thread sleeve, in order to prevent aluminum alloy threaded hole from losing;
- Two openings bi-directionally and double openings in single direction, easy to install;
- Default height of deep base is 550mm, upon requests of customers;
- Isolation transformer along with single lamp control unit can be easily put into deep base;
- Equipped with standard adaptor ring which can hold 8-inch light.

Order Information

DB-12-X-XXX-XXXX

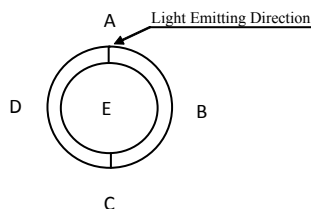
12-inch Deep Base

Type of Base
D = Dry type
W = Wet type

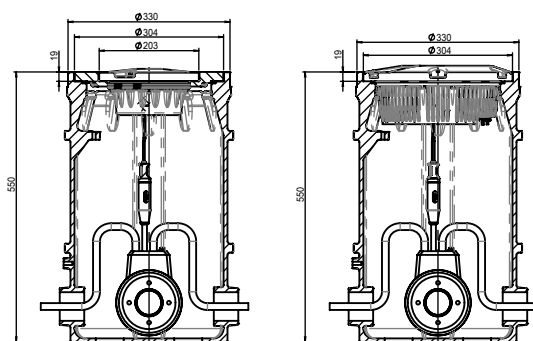
Height of Base
Default height is 550mm, order upon request

Wiring Pattern

A=side entry
location of opening is the same with light emitting direction
B=side entry
opening is located at 90°clockwise rotation of light emitting direction
C=side entry
opening is located at 180°clockwise rotation of light emitting direction
D=side entry
opening is located at 270°clockwise rotation of light emitting direction
E=bottom entry
opening is located at bottom of base
AA=side entry
location of double openings are the same with light emitting direction
Side entry (several locations)
locations of openings are selected upon request:
AB/AC/AD/BD/ABC/ABD/ABCD



Installation





■ 12-inch Deep Base

■ DB-12



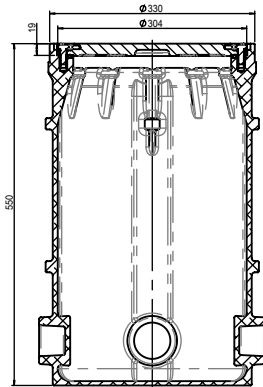
Dimensions

Net Weight: 17.5kg

Packing: 330*330*630 mm³

Order Reference:

select order reference of corresponding specification according to order information



DB-12

2

2