

■ RCLS-08-LED

■ LED Runway Centerline Light (8" 6mm)

Compliance with Standards

CAAC: AC-137-CA-2015-01
 CAAC: AC-137-CA-2015-03
 SAC: GB/T 7256
 ICAO: Annex 14, Volume I
 IEC: TS 61827
 FAA: AC 150/5345-46
 FAA: EB NO.67
 NATO: STANAG 3316

Application/Use

Runway centerline light

Features

- LED is featured by long life, effective energy saving, maintenance-free, which brings enormous economic benefits
- Proprietary prism structural design and manufacturing process to ensure excellent optical performance
- Strict LED color management to ensure premium color consistency
- Consistent dimming curve with halogen lamp fixture, complying with FAA standards
- Proprietary driving circuit and thermal management solution, which greatly improves the reliability and service life of light fixture
- Power factor above 0.9, minimizing the power network interference
- Optional function of single lamp failure detection, which enables the light to be open as halogen lamp once LED fails
- Specially-designed structure, protruding only 6.35mm above finish grade
- Upper cover with flat out-light surface to prevent from water buildup and ensure high luminous efficiency
- Upper cover with equal-strength design and forging craft, which has premium mechanical, barrier capacity, and shock resistance ability
- Smooth upper cover without sharp edge to prevent aircraft tires from damaging
- Main body of lighting fixture is made of high thermal conductive aluminum alloy, which ensures good heat dissipation performance
- Main structure made of corrosion-resistant aluminum alloy with special anodizing treatment, all fasteners are made of stainless steel, suitable for harsh environment application
- High-precision parts machining to ensure all dimensional quality and precision
- IP68 Ingress protection-grade, that can withstand inner pressure of up to 138kpa or water pressure generated from aircrafts' impact on the optical window
- Optional dual plug that permits bilateral control of the two-way light and intelligent loop control
- Interchangeable, modular-designed components, applicable for all series of 8-inch LED in-pavement runway lights(6 mm), which effectively cuts down the inventories.



Ordering Information

RCLS-08-LED-XX-1P-X

Type _____
 RCLS-08=8" 6mm runway centerline light
 (6.35mm protrusion above pavement)

Light source _____
 LED=LED lamp

Beam color _____
 CC=Both windows: white
 CR=Window 1: white window 2: red
 CB=One single window: white
 RB=One single window: red

Plug _____
 1P=one plug

Optional function _____
 M=Single lamp fault detection function
 A=Arctic Kit

* Please provide detailed installation info while ordering, spare parts and accessories should be separately ordered with specific order no.

Installation

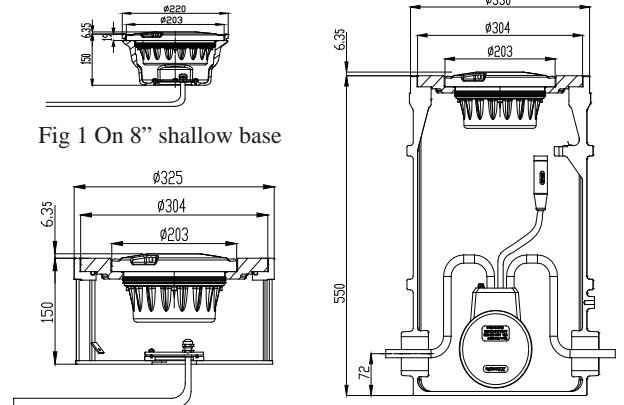


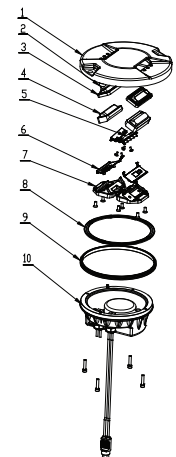
Fig 2. On 12" shallow base w/ 12"/8" adapter ring

Fig 3. On 12" deep base w/ 12"/8" adapter ring

* Please find detailed information in installation manual

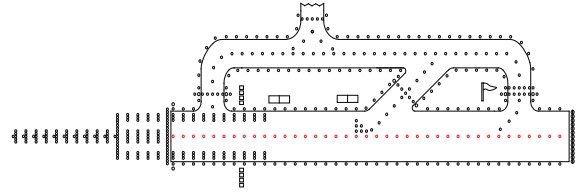
Structure

1. upper cover
2. thermal switch
3. prism gasket sleeve
4. prism
5. LED lamp assy
6. prism gasket
7. prism pressing bracket
8. light body gasket
9. lighting fixture gasket
10. inner cover assy



■ RCLS-08-LED

■ LED Runway Centerline Light (8" 6mm)

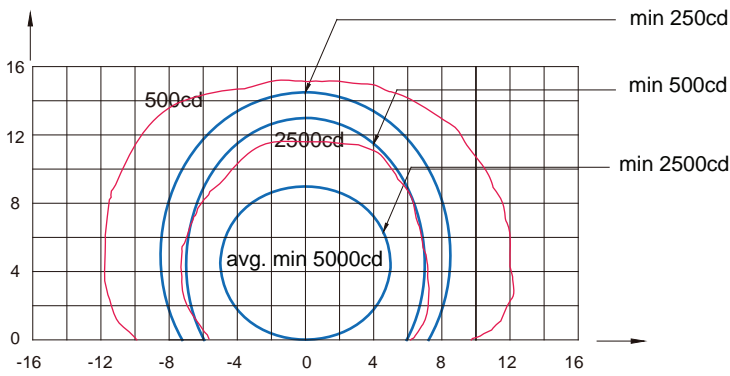


Specifications

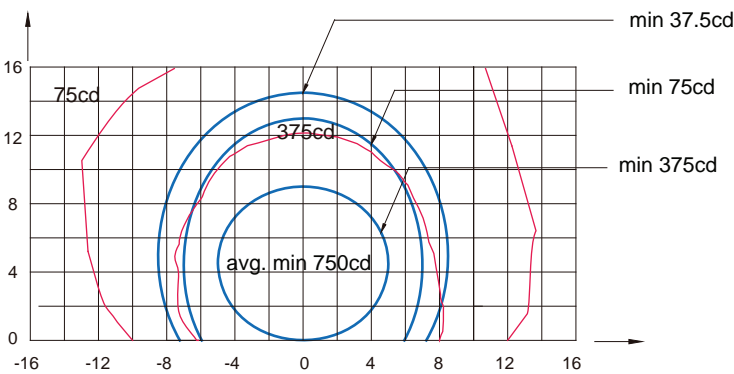
Power: 24VA(bi-directional) 18VA(uni-directional)

Power Factor: ≥ 0.9

Photometric Data



RCLS-08-LED (White), ICAO Figure A2-7, FAA L-850A



RCLS-08-LED (Red), ICAO Figure A2-7, FAA L-850A

Application		Main Beam		Color	Required min avg. cd	Actual avg. cd
		H	V			
RCLS-08-LED	ICAO Figure A2-7/ FAA L-850A	$\pm 5^\circ$	0°—9°/ 0.2°—9°	White	5000	7184
			Red	750	1598	
	ICAO Figure A2-6	$\pm 5^\circ$	0°—7°	White	5000	7381
			Red	750	1567	

Spare Parts

Struc No.	Part Name	Order No.	Description
3	prism gasket sleeve	43117	prism gasket sleeve (61×28)-H6
4	prism	31158	prism (61×28) -H6
5	LED lamp assy	932053 -RCLS-C	LED lamp assy-RCLS-C
		932053 -RCLS-C	LED lamp assy-ENDS-R
6	prism gasket	43316	prism gasket(67×21)
7	prism pressing bracket	43241	prism pressing bracket(71×65)
8	light body gasket	41141	O-ring 137×2
9	light fixture gasket	41107	Seal belt(standard)

Accessories

No.	Order No.	Description
1	SB-08	8"shallow base
2	SB-12	12"shallow base
3	DB-12	12" deep base
4	AR-12/08	12"-8" adaptor ring
5	951101	8"lamp handle
6	ITF-065-066	65-watt isolation transformer
7	ITF-150-066	150-watt isolation transformer
8	REC7	moulded type secondary cable receptacle style 7

Packing Data

1 lights w/o base

Unit net weight: 3.4 kg

1 light w/ 8" shallow base

Unit net weight: 6.4 kg

Packing size: 210×210×130mm³

Gross weight:3.5 kg

Packing size: 240×240×180mm³

Gross weight: 6.5 kg