

RELS-12-LED

LED Inpavement Runway Edge Light (12" 6mm)



## Compliance with Standards

CAAC: AC-137-CA-2015-01  
 CAAC: AC-137-CA-2015-03  
 SAC: GB/T 7256  
 ICAO: Annex 14, Volume I  
 IEC: TS 61827  
 FAA: AC 150/5345-46  
 FAA: EB NO.67  
 NATO: STANAG 3316

## Application/Use

Runway edge light

## Features

- LED is featured by long life, effective energy saving, maintenance-free, which brings enormous economic benefits
- Proprietary prism structural design and manufacturing process to ensure excellent optical performance
- Strict LED color management to ensure premium color consistency
- Consistent dimming curve with halogen lamp fixture, complying with FAA standards
- Proprietary driving circuit and thermal management solution, which greatly improves the reliability and service life of light fixture
- Power factor above 0.9, minimizing the power network interference
- Optional function of single lamp failure detection, which enables the light to be open as halogen lamp once LED fails
- Specially-designed structure, protruding only 6.35mm above finish grade
- Upper cover with flat out-light surface to prevent from water buildup and ensure high luminous efficiency
- Upper cover with equal-strength design and forging craft, which has premium mechanical, barrier capacity, and shock resistance ability
- Smooth upper cover without sharp edge to prevent aircraft tires from damaging
- Main body of lighting fixture is made of high thermal conductive aluminum alloy, which ensures good heat dissipation performance
- Main structure made of corrosion-resistant aluminum alloy with special anodizing treatment, all fasteners are made of stainless steel, suitable for harsh environment application
- High-precision parts machining to ensure all dimensional quality and precision
- IP68 Ingress protection-grade, that can withstand inner pressure of up to 138kpa or water pressure generated from aircrafts' impact on the optical window
- Interchangeable, modular-designed components, applicable for all kind of 12-inch LED in-pavement taxiway lights(6 mm), which effectively cuts down the inventories.

## Ordering Information

RELS-12-X-LED-XX-X

Type \_\_\_\_\_  
 RELS-12=12"6mm in-pavement  
 runway edge light

Beam direction \_\_\_\_\_  
  
 L=Toe-in left  
 R=Toe-in right

Illuminant \_\_\_\_\_  
 LED=LED source

Beam color \_\_\_\_\_  
 YC=Winow 1: yellow window 2: white  
 CY=Winow 1: clear window 2: yellow  
 CC=Both windows: clear  
 CR=Winow 1: clear window 2: red  
 RC=Winow 1: red window 2: clear

Optional Function \_\_\_\_\_  
 M = Single lamp fault detection function

\* Please provide detailed installation info while ordering, parts and accessories should be ordered separately specific with order no.

## Installation

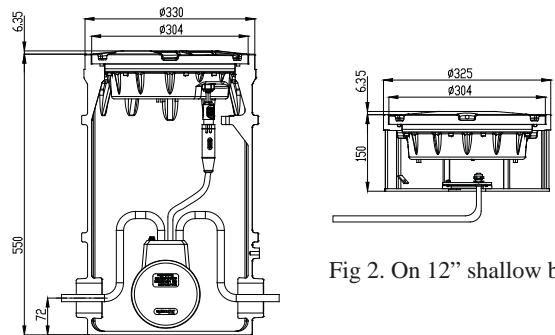


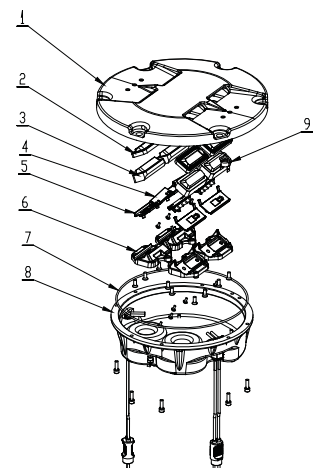
Fig 1 On 12" deep base

Fig 2. On 12" shallow base

\* Please find detailed information in installation manual

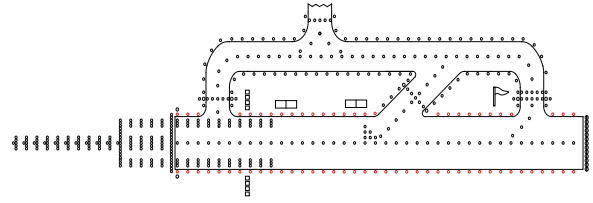
## Construction

1. upper cover
2. prism gasket
3. prism
4. LED source assy
5. prism pressing plate
6. prism bracket
7. seal gasket for light body
8. inner cover assy
9. thermal switch



■ RELS-12-LED

■ LED Inpavement Runway Edge Light (12" 6mm)

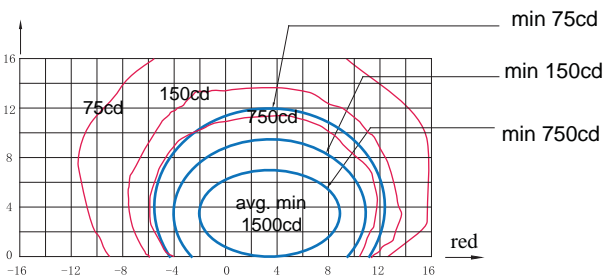
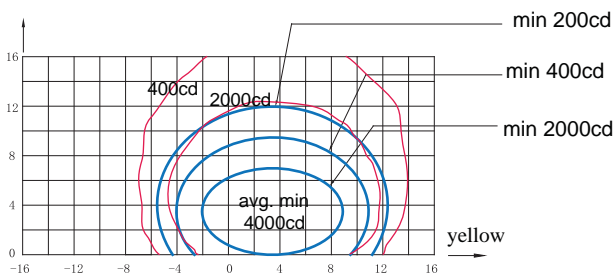
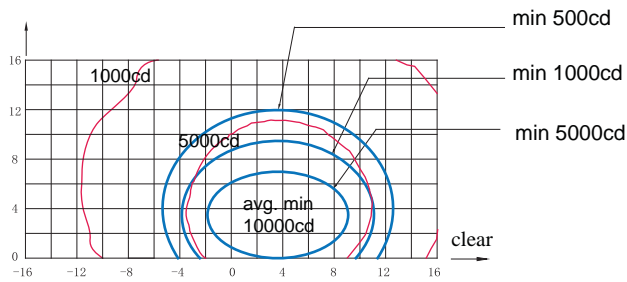


## Specifications

Power: 36VA(clear/yellow); 24VA(yellow/red); 45VA(clear/clear)

Power Factor:  $\geq 0.9$

## Photometric Data



RELS-12-LED, ICAO Figure A2-10

Application		Main Beam		Color	Required min avg. cd	Actual avg. cd
		H	V			
RELS-12-LED	ICAO Figure A2-9/ FAA L-850C	$\pm 5.5^\circ$ (Toe-in 3.5°)	0°—7°	White	10000	13152
				Yellow	4000/5000	5369
				Red	1500/2000	2854
	ICAO Figure A2-10	$\pm 6.5^\circ$ (Toe-in 4.5°)	0°—7°	White	10000	12955
				Yellow	4000	5245
				Red	1500	2636

## Packing Data

1 light w/o base

Unit net weight: 9.8 kg

1 light w/ 12" shallow base

Unit net weight: 14.2 kg

Packing size: 330×330×150mm<sup>3</sup>

Gross weight: 10.5 kg

Packing size: 330×330×150 mm<sup>3</sup>

Gross weight: 15.6 kg

## Parts

Struc No.	Part Name	Part No.	Description
1	upper cover	213A4-B2	upper cover (12) LED-H6-bidirectional 2 windows
		213A4-B4	upper cover (12) LED-H6-bidirectional 4 windows
2	prism gasket	43117	prism gasket (61×28)-H6
3	prism	31158	prism (61×28)-H6
4	LED source assy	932053-YE	LED source assy-YE(yellow)
		932053-RE	LED source assy-RE(red)
		932053-CG	LED source assy-CG(clear)
5	prism pressing plate	43316	prism pressing plate(67×21)
6	prism bracket	43241	prism bracket (71×65)
7	seal gasket for light body	41135	O-ring 228.27×2.62
8	inner cover assy	921431	12" inner cover asy 6mm-1P
9	thermal switch	48511	thermal switch (35-45°C)

## Accessories

No.	Order No.	Description
1	82732X	12" deep base (H550) assy
2	927151	12" shallow base assy (bottom-in)
3	927156	12" shallow base assy (side-in)
4	41115	12" base O-ring
5	ITF-045-066	45-watt isolation transformer
6	70703	secondary cable connector - style 7 socket

\* All rights reserved, subject to modifications